



INSTALLATION INSTRUCTIONS

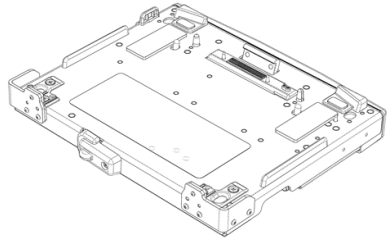
Product	Revision	Form #
CF20 Docking Station 7160-0802	Rev. K	INST-712
CF20 Cradle 7160-0803		Printing Spec: PS-004

This instruction sheet is for the CF20 docking station and Cradle only. For instructions on features, set-up and operation of the CF20 computer, please refer to the manual provided by Panasonic with the computer.

This docking station is designed to be used with a variety of Gamber-Johnson mounting systems. Installation instructions for other Gamber-Johnson products are provided with each individual product.

This instruction sheet is for the following products:

- 7160-0802-00, (-P) & (-E)** Docking Station – No RF, Keyed Alike
- 7160-0802-02, (-P) & (-E)** Docking Station – Dual RF, Keyed Alike
- 7160-0802-04, (-P) & (-E)** Docking Station – No RF, Keyed Different
- 7160-0802-06, (-P) & (-E)** Docking Station – Dual RF, Keyed Different
- 7160-0803-00, (-P) & (-E)** Cradle – No RF, Keyed Alike
- 7160-0803-01, (-P) & (-E)** Cradle – No RF, Keyed Different



Product Mounting Disclaimer

Gamber-Johnson is not liable under any theory of contract or tort law for any loss, damage, personal injury, special, incidental or consequential damages for personal injury or other damage of any nature arising directly or indirectly as a result of the improper installation or use of its products in vehicles or any other application. In order to safely install and use Gamber-Johnson products full consideration of vehicle occupants vehicle systems (i.e., the location of fuel lines, brake lines, electrical, drive train or other systems), air-bags, and other safety equipment is required. Gamber-Johnson specifically disclaims any responsibility for the improper use or installation of its products not consistent with the original vehicle manufacturers specifications and recommendations, Gamber-Johnson product instruction sheets, or workmanship standards as endorsed through the Gamber-Johnson Certified Installer Program.

© Copyright 2017 Gamber-Johnson, LLC

If you need assistance or have questions, call Gamber-Johnson at 1-800-456-6868

Information on Disposal for Users of Waste Electrical & Electronic Equipment (private households)



This symbol on the products and/or accompanying documents means that used electrical and electronic products should not be mixed with general household waste.

Please dispose of this item only in designated national waste electronic collection schemes, and not in the ordinary dust bin.

For business users in the European Union

If you wish to discard electrical and electronic equipment, please contact your dealer or supplier for further information.

Information on Disposal in other Countries outside the European Union

This symbol is only valid in the European Union.

If you wish to discard this product, please contact your local authorities or dealer and ask for the correct method of disposal.

36-E-1

Information on Disposal for Users of Waste Electrical & Electronic Equipment (private households)



Information on Disposal in other Countries outside the European Union

This symbol is only valid in the European Union.

If you wish to discard this product, please contact your local authorities or dealer and ask for the correct method of disposal.

36-M-1

Warning

This is a class A product. In a domestic environment this product may cause radio interference in which case the user may be required to take adequate measures.

No user serviceable parts.
Refer to qualified repair center personal for assistance.

Interface Cable
Use of an interface cable longer than 10ft (3m) is not recommended.

Installation by qualified personnel required.
Safety of product may be compromised if incorrectly installed.



Europe

For



Declaration of Conformity (DoC)

"Hereby, Gamber-Johnson LLC declares that this Docking Station is in compliance with the essential requirements and other relevant provisions of EU Council Directives."

DoC available from Gamber-Johnson LLC

Manufacturer:
Gamber-Johnson LLC
3001 Borham Ave
Stevens Point WI 54481 USA

Canada

For

Canadian ICES-003
CAN ICES-3(A)/NMB-3(A)

7-M-2

<Only for model with external antenna>

External Antenna

This device has been designed to operate with an external WWAN antenna having a maximum gain of 4 dBi for the cellular band, 3 dBi for the PCS band, 3 dBi for LTE Band 4, 9 dBi for LTE Band 17 and 10 dBi for LTE Band 13. WWAN Antenna having a higher gain is strictly prohibited per regulations of Industry Canada. The required antenna impedance is 50ohms.

To reduce potential radio interference to other users, the antenna type and its gain should be so chosen that the equivalent isotropically radiated power (EIRP) is not more than that required for successful communication.

<Uniquement pour les modèles avec l'antenne externe>

Antenne Externe

Cet appareil est conçu pour opérer avec une antenne WWAN (réseau étendu sans fil) dont le gain maximum est fixé à 4 dBi pour la bande cellulaire, 3 dBi pour la bande de service de communications personnelles (PCS), 3 dBi pour la bande LTE 4, 9 dBi pour la bande LTE 17 et 10 dBi pour la bande LTE 13. Les règlements d'Industrie Canada interdisent l'utilisation d'une antenne WWAN dont le gain serait supérieur à cette limite. L'antenne doit avoir une impédance de 50 ohms. Afin de réduire le risque d'interférence radioélectrique aux autres utilisateurs des bandes de fréquences, le type d'antenne et son gain doivent être tels que la puissance isotrope rayonnée équivalente (PIRE) n'est pas plus élevée que le niveau requis pour assurer la communication.

32-Ca-1-1

Federal Communications Commission Radio Frequency Interference Statement

Note: This equipment has been tested and found to comply with the limits for a Class A digital device, pursuant to Part 15 of the FCC Rules. These limits are designed to provide reasonable protection against harmful interference in a residential installation. This equipment generates, uses and can radiate radio frequency energy and, if not installed and used in accordance with the instructions, may cause harmful interference to radio communications. However, there is no guarantee that interference will not occur in a particular installation. If this equipment does cause harmful interference to radio or television reception, which can be determined by turning the equipment off and on, the user is encouraged to try to correct the interference by one or more of the following measures:

- Reorient or relocate the receiving antenna.
- Increase the separation between the equipment and receiver.
- Connect the equipment into an outlet on a circuit different from that to which the receiver is connected.
- Consult an experienced radio/TV technician for help.

Warning

To assure continued compliance, use only shielded interface cables when connecting to a computer or peripheral. Also, any changes or modifications not expressly approved by the party responsible for compliance could void the user's authority to operate this equipment.

This device complies with Part 15 of the FCC Rules.

Operation is subject to the following two conditions:

- (1) This device may not cause harmful interference, and
- (2) This device must accept any interference received, including interference that may cause undesired operation.

Responsible Party: Gamber-Johnson LLC

3001 Borham Ave
Stevens Point WI 54481 USA
Tel: 1-800-456-6868

Support Contact: www.gamberjohnson.com

<Only for model with external antenna>

External Antenna

FCC RF Exposure Warning:

This equipment is provided with external antenna connector(s) for connection to optional Docking Station or Port Replicator for mobile external mounted antenna(s). External antenna(s) must be professionally installed and cannot exceed recommended maximum antenna gain as described in individual provided supplement instructions for wireless transmitters.

The maximum allowable antenna gain for the external WWAN base whip antenna for the cellular band is 4 dBi, PCS band is 3 dBi, LTE Band 4 is 3 dBi, LTE Band 17 is 9 dBi and 10 dBi for LTE Band 13. Also, user must maintain minimum 20 cm spacing between external antenna(s) and all person's body (excluding extremities of hands, wrist and feet) during wireless modes of operation.

32-M-1-1

PRE-INSTALLATION RECOMMENDATIONS

Conduct a “Bench Test”

Gamber-Johnson strongly advises a “bench test” be conducted to verify all electronic and software issues are resolved prior to installation:

1. Make sure the computer is operational by itself.
2. Insert computer into the docking station and verify that the computer is operating in the dock.
3. Interconnect entire assembly and verify start-up of all components, including other equipment (printers, modems, scanners, etc.)

Gamber-Johnson recommends positioning of all mounts and equipment in the vehicle prior to the actual install to verify that mounting locations are safe and practical.

IMPORTANT SAFETY INFORMATION FOR INSTALLERS

Safety is dependent on the proper installation and servicing of this docking station. It is important to read and follow all instructions before installing this product.

To properly install a Gamber-Johnson docking station you must have a good understanding of automotive electrical procedures and systems, along with proficiency in the installation and service of aftermarket vehicle equipment.

There are no adjustments required at any time of the electrical components within the docking station. **Opening the docking station will void the product warranty.**

During Installation:

DO NOT connect this docking station to the vehicle battery until:

1. All other electrical connections are made
2. Mounting of all components is complete
3. Verification that no shorts exist in the entire system

DO NOT install equipment or route wiring or cords in the deployment path of any air bag.

When drilling into the vehicle, **DO** make sure that both sides of the surface are clear of anything that could be damaged.

Caution: If wiring is shorted to the frame, high current conductors can cause hazardous sparks resulting in electrical fires or flying molten metal.

After installation:

Test the docking station to ensure that it is working properly.

File these instructions in a safe place and refer to them when performing maintenance or reinstalling.

WARNING: Failure to follow all safety precautions and instructions may result in property damage, serious injury, or death.

Precautions for Operating the Docking Station

- **If a Malfunction or Trouble Occurs, Immediately Stop Use**

If a Malfunction Occurs, Immediately Unplug the Car Plug and Remove the Computer from this product

- This product is damaged
- The connector pins are bent
- A foreign object is inside this product
- Smoke is emitted
- An unusual smell is emitted
- Unusually hot

Continuing to use this product while any of the above conditions are present may result in fire or electric shock.

- If a malfunction or trouble occurs, immediately unplug the car plug and remove the unit from this product. Then, contact your technical support office for repair.

- **Do Not Touch This Product or Cable When It Starts Thundering**
Electric shock may result.

- **Do Not Place Containers of Liquid or Metal Objects on Top of This Product** If water or other liquid spills, or if paper clips, coins, or foreign matter get inside this product, fire or electric shock may result.
 - If foreign matter has found its way inside, immediately unplug the car plug and remove the unit from this product. Then contact your technical support office.

- **Avoid a Lot of Water, Moisture, Steam, Dust, Oily Vapors, etc.**
Otherwise, possibly resulting in fire or electric shock.

- **Use Only the Specified Docking Station with This Product**
Using a Docking Station other than the one supplied (supplied with the unit or one sold separately as an accessory) may result in a fire.

- **Do Not Connect a Telephone Line, or a Network Cable Other Than the one Specified, Into the LAN Port.**

If the LAN port is connected to a network such as the ones listed below, a fire or electric shock may result.

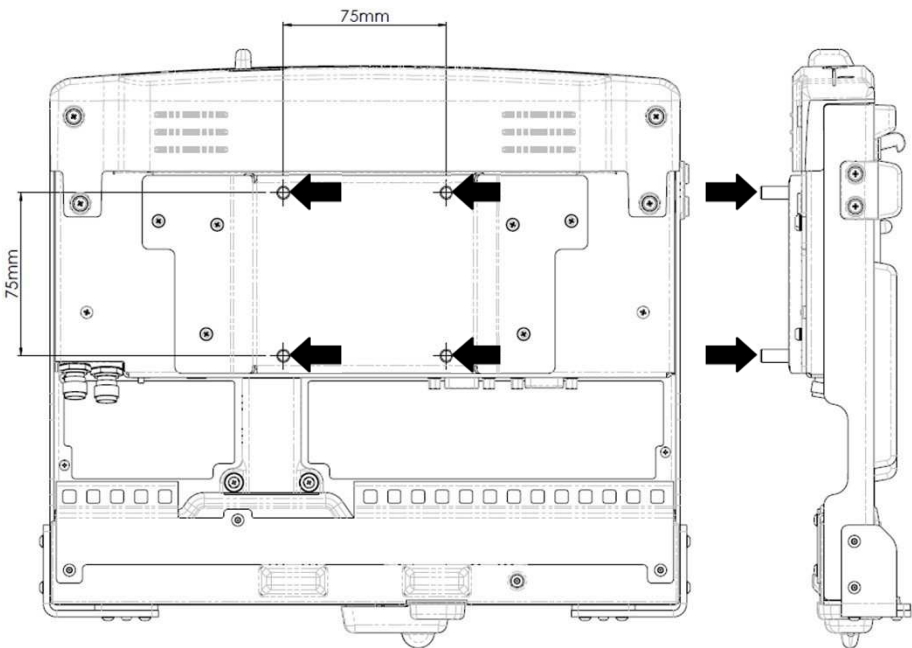
- Networks other than 1000BASE-T, 100BASE-TX or 10BASE-T
- Phone lines (IP phone (Internet Protocol Telephone), Telephone lines, internal phone lines (on premise switches), digital public phones, etc.)

-
- **Using this product continuously in a hot environment will shorten the product life. Avoid use in these types of environments.**

- **When using in hot or cold environment, some peripherals may fail to work properly. Check the operation environment of the peripherals.**

- **Do Not Install This Product in Unstable State**
If balance of the unit is lost, it may fall over or drop, resulting in an injury.
- **Docks used in the vertical (Tablet) position must be installed with the lock on TOP.**
Installing the dock upside down may result in damage to the computer.
- **Do Not Install This Product Where There is a Lot of Water, Moisture, Steam, Dust, Oily Vapors, etc.**
Otherwise, a possibility of fire or electric shock could result.

Dimensional Drawing



Installation fixing 75mm VESA studs are provided in the areas indicated by the arrows in the figure above.

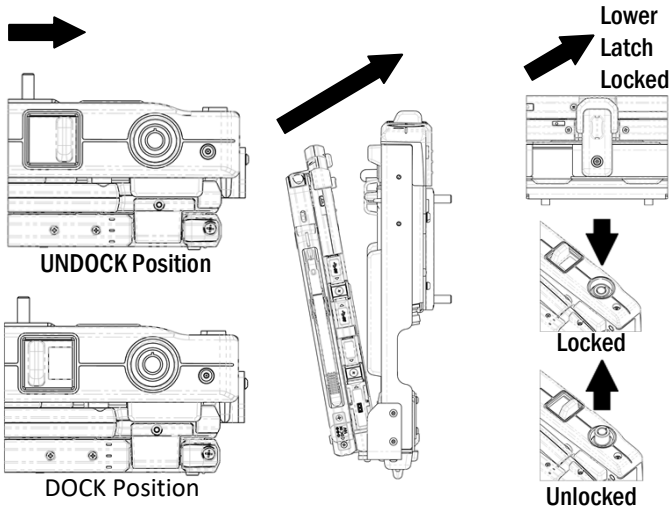
How to use

DOCKING PROCEDURE

1. Ensure latch is in the "OPEN" Position
2. Extend the CF-20 handle to the "DEPLOYED" position then insert CF-20
3. Push the top of the CF-20 into the dock. The latch will move to the "Docked" position
4. To secure the tablet ensure it is in the closed position with the display latch engaged then move the lower latch into the locked position
5. Push the CF-20 handle into the "STOWED" position
6. Push the lock to secure the device

NOTES:

Ensure latch is fully in the "Docked" position. It is recommended that the CF-20 is pushed into the dock with two hands. For CF-20 fitted with Gadget option, it may be necessary to attach the main unit in the forward direction only. Refer to device manual for further information.



NOTE:

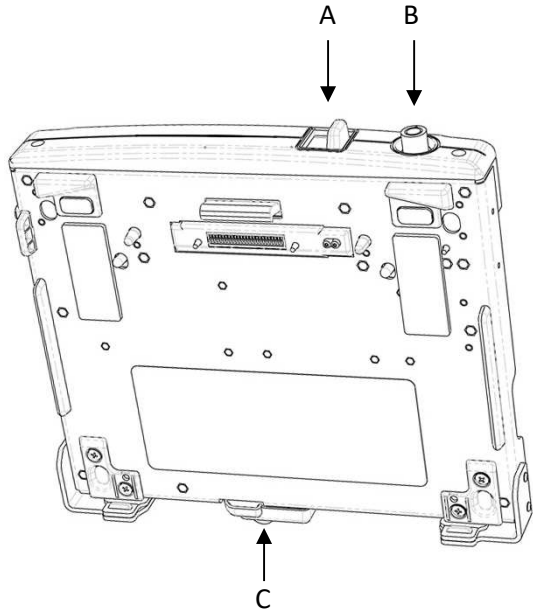
Portions of your Docking Station may differ somewhat from the illustrations in the operating instructions, but this should present no problems in actual use. Be sure to follow the operating instructions when using your Docking Station.

Description of Parts

- A. Lever
- B. Lock
- C. Secondary Latch

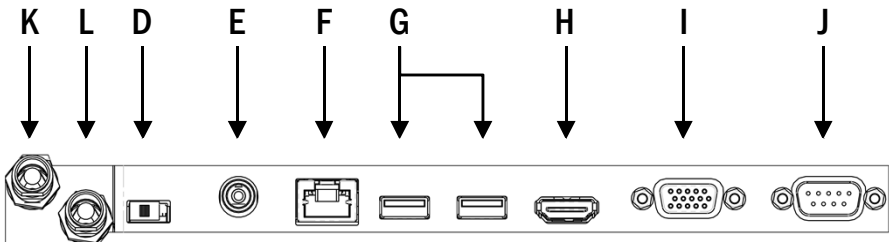
Bottom Side

- D. Antenna Switch
- E. DC-IN jack DC IN 16V
- F. LAN port
- G. USB port
- H. HDMI port
- I. VGA Port
- J. Serial port



- K. External wireless LAN/GPS antenna
EX. ANT 2
- L. External wireless WAN antenna port EX.
ANT 1

port



K & L ports on the following models only:
7160-0802-02, (-P) & (-E)
7160-0802-06, (-P) & (-E)

Specifications

Item	Description
Power Supply Input	DC 15.6V-16V Must use approved FCC/E-marked PSU
Expansion Bus Connector	24-Pin
USB Port* ¹	USB 3.0 x 2
LAN Port	RJ-45 x 1
HDMI Port** ²	HDMI x 1 For exclusive use with HDMI standard
VGA Port	Mini Dsub 15-pin female (Analog interface)
Serial Port	Dsub 9-pin male
Physical Dimension [W x H x D]	290x277x75mm (11.42x10.91x2.95")
Weight	2.28kg (5 lb)

*¹ Does not guarantee operation of all USB and HDMI-compatible peripherals

*² When connecting the HDMI compatible display, specifications such as maximum resolutions available to output differ, depending on the specifications of the connected devices. See the specifications of the connected device for details.

Regulatory Certification Information
Regulatory Model #: 7160-0802, 7160-0803

GJ Model #'s & Description:

7160-0802-00	Dock – Panasonic – CF20 – No RF – Keyed Alike
7160-0802-00-P	Dock – Panasonic – CF20 – No RF – Keyed Alike
7160-0802-00-E	Dock – Panasonic – CF20 – No RF – Keyed Alike
7160-0802-02	Dock – Panasonic – CF20 – Dual RF – Keyed Alike
7160-0802-02-P	Dock – Panasonic – CF20 – Dual RF – Keyed Alike
7160-0802-02-E	Dock – Panasonic – CF20 – Dual RF – Keyed Alike
7160-0802-04	Dock – Panasonic – CF20 – No RF – Keyed Different
7160-0802-04-P	Dock – Panasonic – CF20 – No RF – Keyed Different
7160-0802-04-E	Dock – Panasonic – CF20 No RF – Keyed Different
7160-0802-06	Dock – Panasonic – CF20 Dual RF – Keyed Different
7160-0802-06-P	Dock – Panasonic – CF20 Dual RF – Keyed Different
7160-0802-06-E	Dock – Panasonic – CF20 Dual RF – Keyed Different
7160-0803-00	Cradle – Panasonic – CF20 – No RF – Keyed Alike
7160-0803-00-P	Cradle – Panasonic – CF20 – No RF – Keyed Alike
7160-0803-00-E	Cradle – Panasonic – CF20 – No RF – Keyed Alike
7160-0803-01	Cradle – Panasonic – CF20 – No RF – Keyed Different
7160-0803-01-P	Cradle – Panasonic – CF20 – No RF – Keyed Different
7160-0803-01-E	Cradle – Panasonic – CF20 – No RF – Keyed Different

Certifications:

- EN55022:2010 (Class “B”)
- EN55024:2010
- EN50498:2010
- EN60950-1:2006 - A2:2013
- EN50581:2012
- ECE 324 Regulation 10.04

This device complies with Part 15 of the FCC Rules. Operation is subject to the following two conditions. (1) this device may not cause harmful interference, and (2) this device must accept any interference received, including interference that may cause undesired operation.



Gamber-Johnson LLC,
3001 Borham Ave.,
Stevens Point, WI, 54481, USA, 1-800-456-6868